

IN-Z61, IN-Z62 AND IN-Z63

# New: Compatible with Z3 and Z6 indexes

In the new diaphragm meter index Z6, the connection to the pulser has been modified for design reasons. As a consequence, the IN-Z31 pulsers, which have been used until now, can no longer be fitted in meters with the new Z6 index, which will gradually enter the production stage as from the beginning of 2004. We have, of course, developed follow-up products in the shape of the IN-Z61/62/63 pulsers, which not only have the same functionality but also offer new possibilities. They are also retro-compatible with the Z3 index, which means they can be fitted in ten-year-old devices.

Similar to Henry Ford's Tin Lizzy, which was only available in black, the old IN-Z31 pulser had only one type of connection and fixed features: the Telekom plug 6-4 in accordance with FCC68, only one counter switch, one tamper protection switch (PCM) and only one colour, namely black. Until now we have not been able to act upon requests, for example, for a better quality concerning the plug. But now things have changed! In order to give you more possibilities when connecting the pulser to the peripheral devices, we have increased the electric capacity in terms of voltage, current and switching power.

The IN-Z61 is the direct successor of the IN-Z31 with identical features: counter switch, tamper protection switch (PCM) and 6-4 FCC68 plug. It is ideal for places where there is already a Telekom socket connection and where the PCM function is to be used.

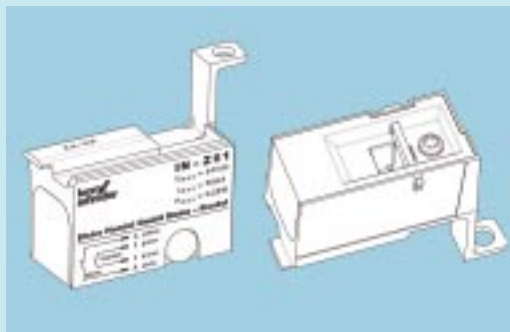


Fig. 1: IN-Z61: Identical in performance and compatible with the IN-Z31

The IN-Z62 is a more cost effective alternative with a slightly reduced performance. It is only equipped with one counter switch and the cable connection consists of a cable sleeve and two insulator clips located inside the housing.

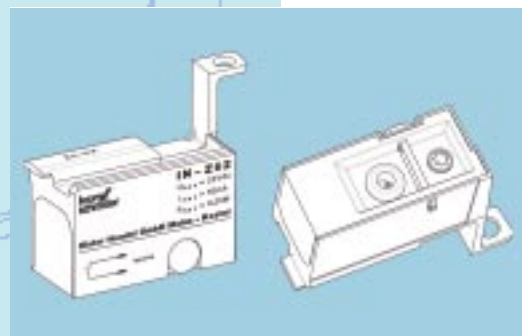


Fig. 2: IN-Z62: reduced performance and less costly

The most sophisticated version is the IN-Z63: the counter switch and PCM are connected to the further-processing systems via an IP67-protected, 6-pin plug in accordance with DIN 45322.

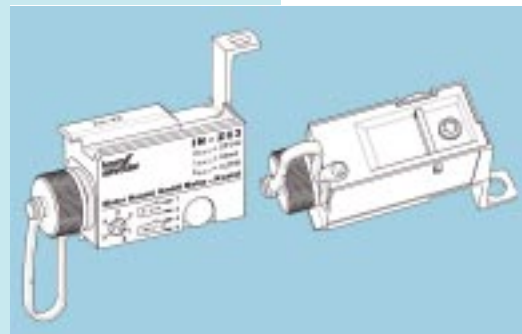


Fig. 3: IN-Z63 with high-performance plug connection

With the three new pulsers, IN-Z61/62/63, you will in future have the possibility to select a pulser which exactly meets your specific requirements. The new pulsers will be available from the beginning of 2004 and will fit all ELSTER-KROMSCHRÖDER diaphragm meters which are equipped with the Z3 or Z6 indexes. There's one thing left to say, however. We think they should still be black.

PETER HAMPEL, GERMANY [p.hampel@kromschroeder.com](mailto:p.hampel@kromschroeder.com)